

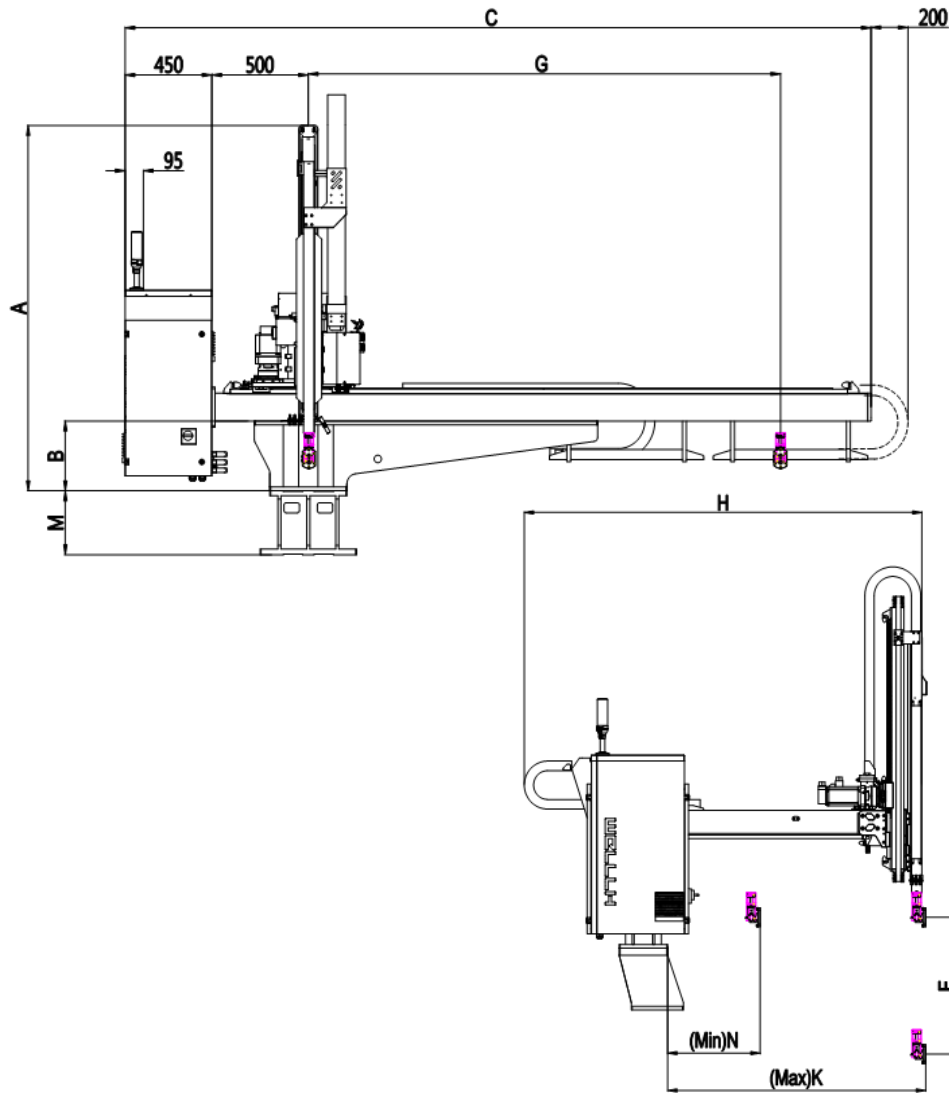


MaxCW10-Series

Full Servo Robot
IMM RANGE 470 – 800 Ton



MaxCW10-1600P	Standard		Metric	
Movement	Drive Type	Servo Telescoping Vertical Arm	Servo Telescoping Vertical Arm	Drive Type
IMM Range	US Tons	470 - 800	4181 - 7117	kN
Vertical Stroke	in	62.99	1600	mm
Single Arm Strip	in	54.33	1380	mm
Traverse	in	98.43	2500	mm
Gripper Angle	°	90	90	°
Max Load	lbs	22.05	10	kg
Weight	lbs	1543	700	kg
Drive System	Drive	AC Servo Motor	AC Servo Motor	Drive
Working Air Pressure	psi	71.12 ~ 113.86	5 ~ 8	kg/cm ²
Air Consumption	Fluid oz	67.63	2	NI/cycle
Max Current	Amps	12.1	12.1	I
Power Supply	Power Supply	480VAC - 3 Phase - 60 Hz	480VAC - 3 Phase - 60 Hz	Power Supply



MaxCW10-1600P	Standard (in)	Metric (mm)
A	73.03	1855
B	13.78	350
C	155.12	3940
D	7.68	195
E	62.99	1600
G	98.43	2500
H	85.83	2180
K	54.33	1380
N	14.96	380
M	Custom	Custom

Specifications subject to change due to technical advances