



MaxA02-Series

Small Servo Robot
IMM RANGE 30 – 120 Ton

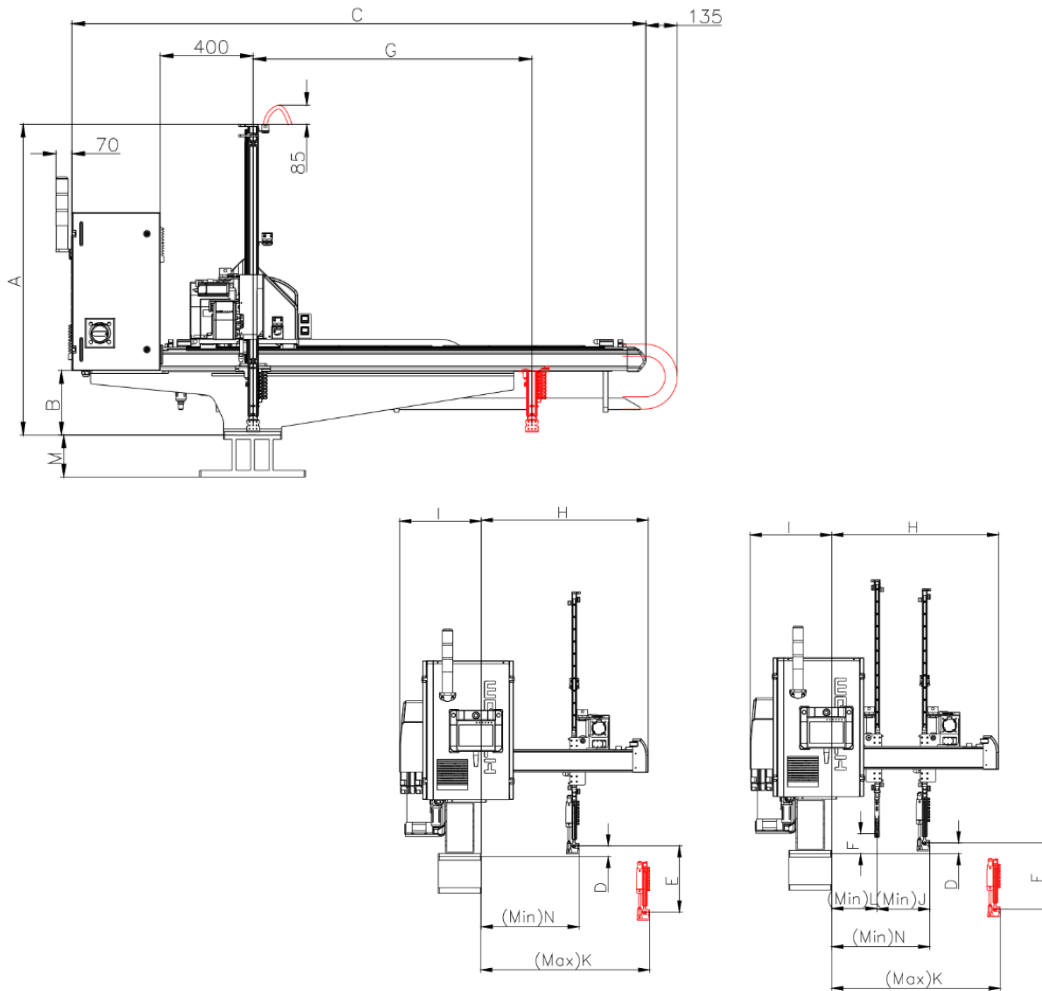


MaxA02-650P	Standard		Metric	
Movement	Drive Type	Single Stage	Single Stage	Drive Type
IMM Range	US Tons	30 - 120	267 - 1068	kN
Vertical Stroke	in	25.59	650	mm
Single Arm Strip	in	23.62	600	mm
Traverse	in	39.37	1000	mm
Gripper Angle	°	90	90	°
Max Load	lbs	4.41	2	kg
Weight	lbs	573	260	kg
Drive System	Drive	AC Servo Motor	AC Servo Motor	Drive
Working Air Pressure	psi	71.12 ~ 113.79	5 ~ 8	kg/cm ²
Air Consumption	Fluid oz	98.06	2.9	NI/cycle
Max Current	Amps	8.9	8.9	I
Power Supply	Power Supply	480AC - 3 Phase - 60 Hz	480AC - 3 Phase - 60 Hz	Power Supply



MaxA02-Series

Small Servo Robot
IMM RANGE 30 – 120 Ton



MaxA02-650P	Standard (in)	Metric (mm)
A	53.15	1350
B	10.83	275
C	89.37	2270
D	2.17	55
E	25.59	650
G	39.37	1000
H	32.28	820
I	15.75	400
K	23.62	600
M	7.09	180
N	3.35	85

Specifications subject to change due to technical advances