

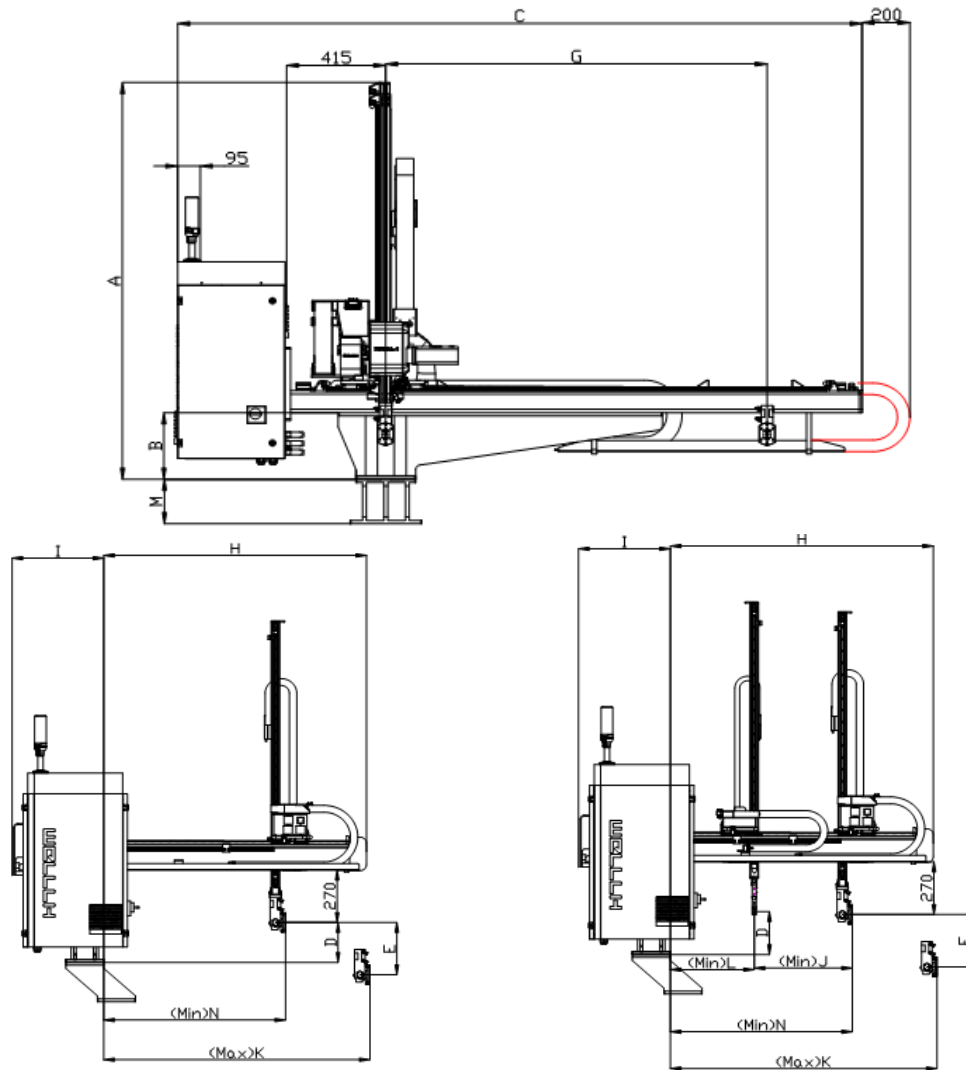


MaxA05-Series

Small Servo Robot
IMM RANGE 150 – 280 Ton



MaxA05-1000P	Standard		Metric	
Movement	drive type	Single Stage	Single Stage	drive type
IMM Range	tons	150 - 280	1334 - 2491	kn
Vertical Stroke	in	39.37	1000	mm
Single Arm Strip	in	39.37	1000	mm
Traverse	in	70.87	1800	mm
Gripper Angle	°	90	90	°
Max Load	lbs	13.23	6	kg
Drive System	drive	AC Servo Motor	AC Servo Motor	drive
Working Air Pressure	psi	71.12 ~ 113.80	5 ~ 8	kg/cm ²
Air Consumption	fluid oz	3.38E-08	1	NL/cycle
Power Consumption	KVA	3.4	3.4	KVA
Power Supply	power supply	480VAC - 3 Phase - 60 Hz	480VAC - 3 Phase - 60 Hz	power supply



MaxA05-1000P	Standard (in)	Metric (mm)
A	70.87	1800
B	11.81	300
C	118.11	3000
D	8.27	210
E	39.37	1000
G	70.87	1800
H	57.09	1450
I	17.13	435
K	39.37	1000
M	7.87	200
N	6.69	170

Specifications subject to change due to technical advances