



MaxCW35-Series

Full Servo Robot
IMM RANGE 2100 – 2800 Ton

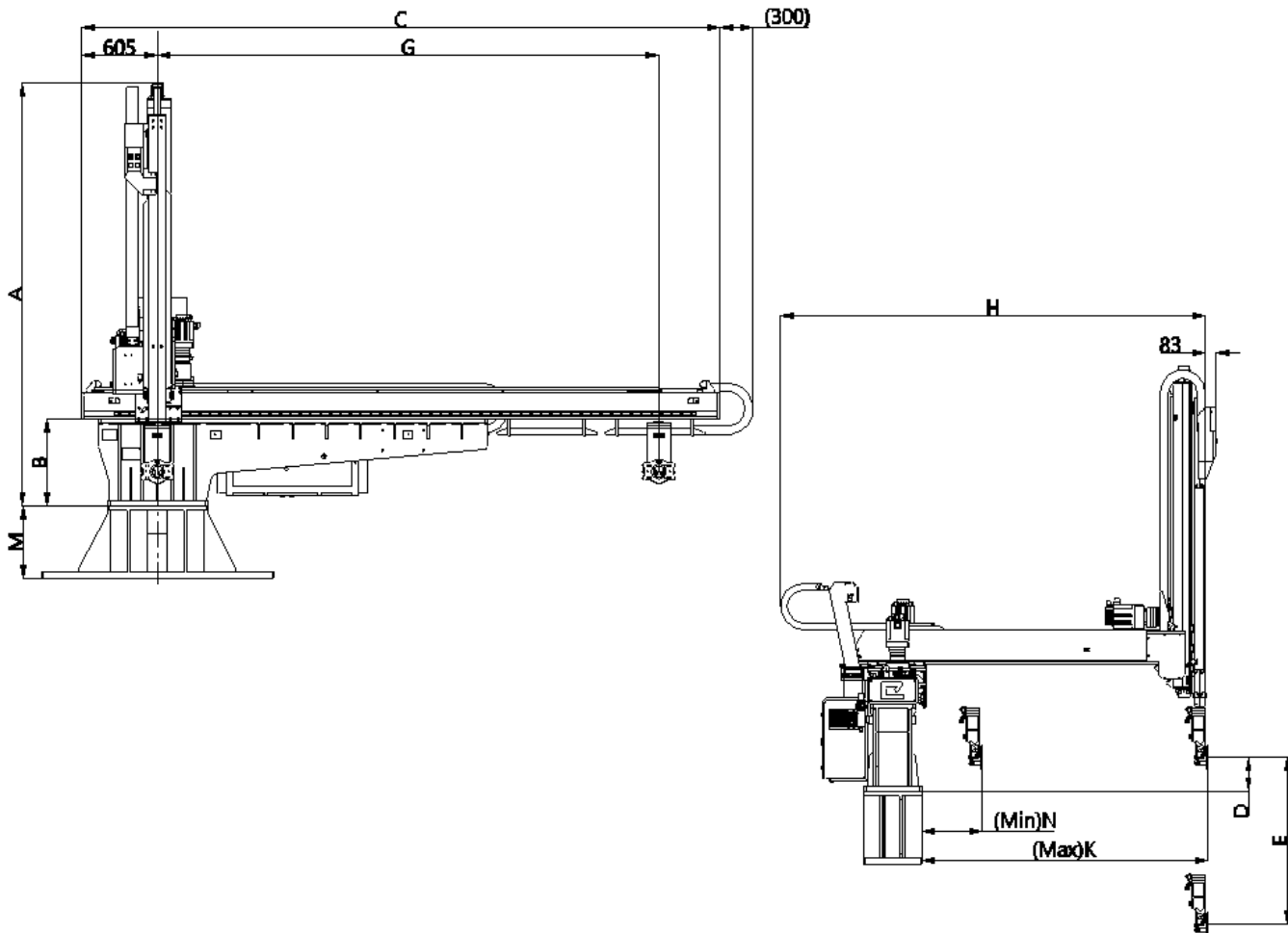


| MaxCW35-3000P | Standard | | Metric | |
|-----------------------------|--------------|--------------------------------|--------------------------------|--------------------|
| Movement | drive type | Servo Telescoping Vertical Arm | Servo Telescoping Vertical Arm | drive type |
| IMM Range | tons | 2100 - 2800 | 18683 - 24910 | kn |
| Vertical Stroke | in | 118.11 | 3000 | mm |
| Single Arm Strip | in | 89.76 | 2280 | mm |
| Traverse | in | 157.48 | 4000 | mm |
| Gripper Angle | ° | 90 | 90 | ° |
| Max Load | lbs | 77.16 | 35 | kg |
| Drive System | drive | AC Servo Motor | AC Servo Motor | drive |
| Working Air Pressure | psi | 71.12 ~ 113.91 | 5 ~ 8 | kg/cm ² |
| Air Consumption | fluid oz | 2.705E-07 | 8 | NL/cycle |
| Power Consumption | KVA | 5.9 | 5.9 | KVA |
| Power Supply | power supply | 480VAC - 3 Phase - 60 Hz | 480VAC - 3 Phase - 60 Hz | power supply |



MaxCW35-Series

Full Servo Robot
IMM RANGE 2100 – 2800 Ton



| MaxCW35-3000P | Standard (in) | Metric (mm) |
|---------------|---------------|-------------|
| A | 124.8 | 3170 |
| B | 25.59 | 650 |
| C | 200.39 | 5090 |
| D | 10.04 | 255 |
| E | 118.11 | 3000 |
| G | 157.48 | 4000 |
| H | 132.48 | 3365 |
| K | 89.76 | 2280 |
| N | 18.9 | 480 |
| M | Custom | Custom |

Specifications subject to change due to technical advances