



# MaxCW10-Series

Full Servo Robot  
IMM RANGE 470 – 800 Ton

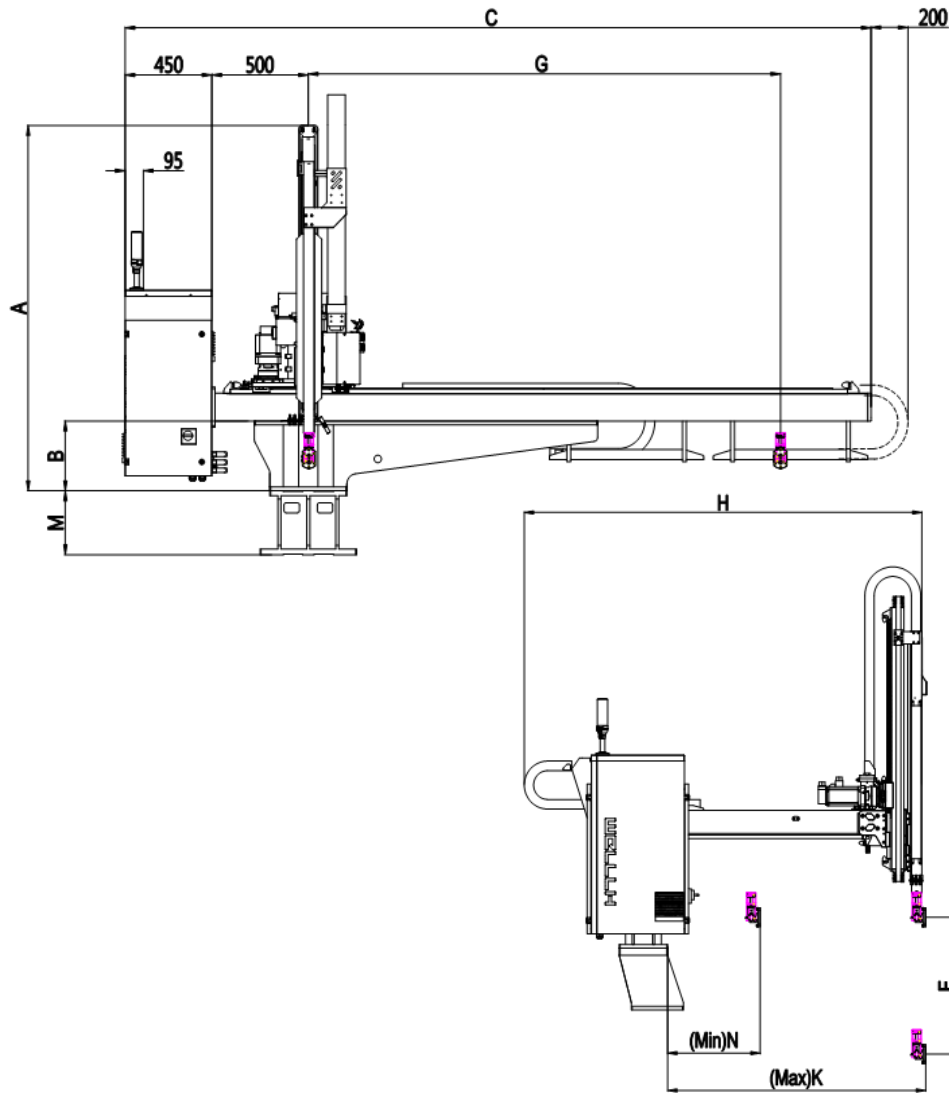


| MaxCW10-1600P               | Standard     |                                | Metric                         |                    |
|-----------------------------|--------------|--------------------------------|--------------------------------|--------------------|
| <b>Movement</b>             | drive type   | Servo Telescoping Vertical Arm | Servo Telescoping Vertical Arm | drive type         |
| <b>IMM Range</b>            | tons         | 470 - 800                      | 4181 - 7117                    | kn                 |
| <b>Vertical Stroke</b>      | in           | 62.99                          | 1600                           | mm                 |
| <b>Single Arm Strip</b>     | in           | 54.33                          | 1380                           | mm                 |
| <b>Traverse</b>             | in           | 98.43                          | 2500                           | mm                 |
| <b>Gripper Angle</b>        | °            | 90                             | 90                             | °                  |
| <b>Max Load</b>             | lbs          | 22.05                          | 10                             | kg                 |
| <b>Drive System</b>         | drive        | AC Servo Motor                 | AC Servo Motor                 | drive              |
| <b>Working Air Pressure</b> | psi          | 71.12 ~ 113.86                 | 5 ~ 8                          | kg/cm <sup>2</sup> |
| <b>Air Consumption</b>      | fluid oz     | 6.76E-08                       | 2                              | NL/cycle           |
| <b>Power Consumption</b>    | KVA          | 4.6                            | 4.6                            | KVA                |
| <b>Power Supply</b>         | power supply | 480VAC - 3 Phase - 60 Hz       | 480VAC - 3 Phase - 60 Hz       | power supply       |



# MaxCW10-Series

Full Servo Robot  
IMM RANGE 470 – 800 Ton



| MaxCW10-1600P | Standard (in) | Metric (mm) |
|---------------|---------------|-------------|
| A             | 73.03         | 1855        |
| B             | 13.78         | 350         |
| C             | 155.12        | 3940        |
| D             | 7.68          | 195         |
| E             | 62.99         | 1600        |
| G             | 98.43         | 2500        |
| H             | 85.83         | 2180        |
| K             | 54.33         | 1380        |
| N             | 14.96         | 380         |
| M             | Custom        | Custom      |

Specifications subject to change due to technical advances