



MaxBW25-Series

Full Servo Robot
IMM RANGE 800 – 1600 Ton

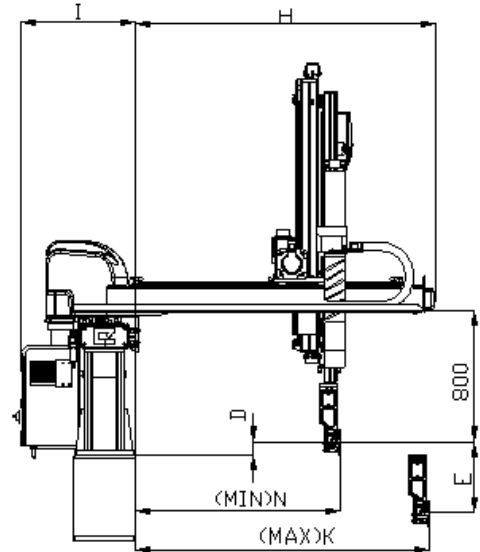
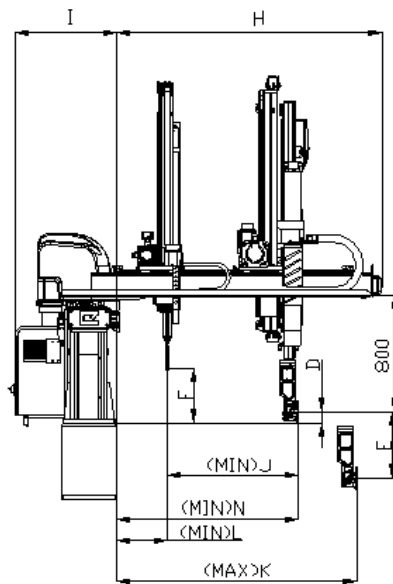
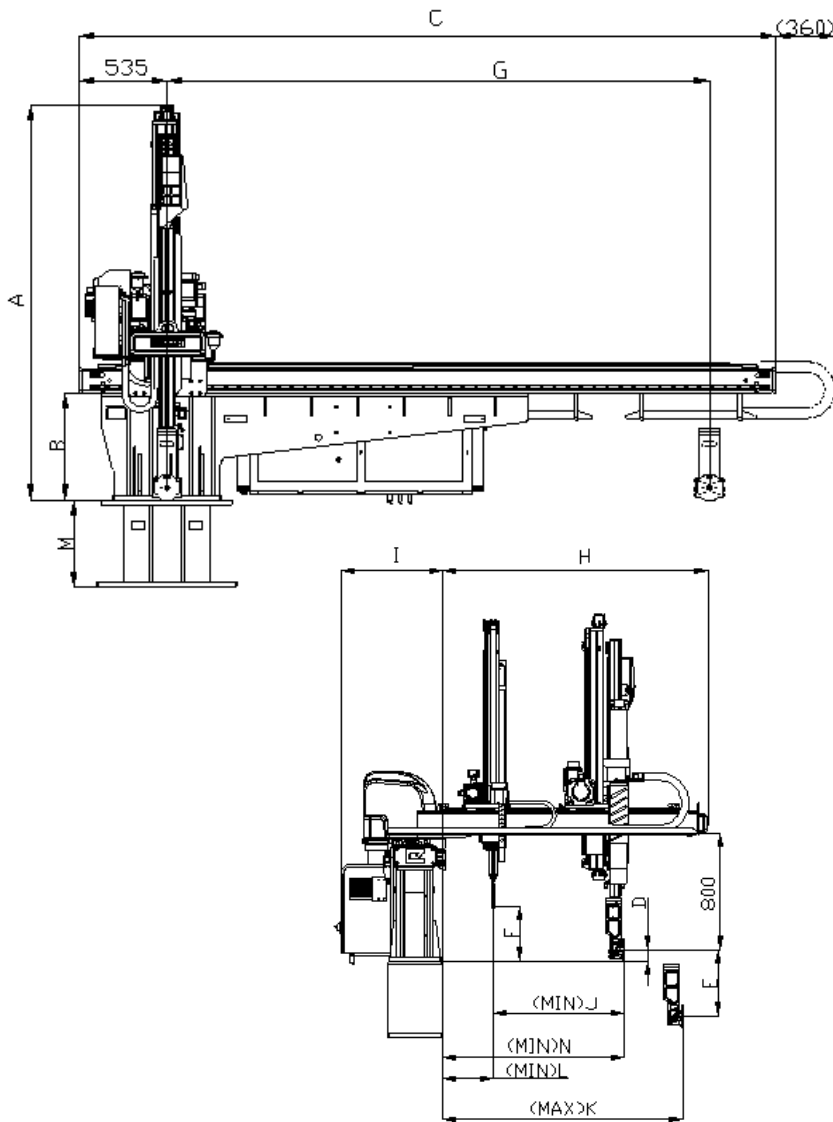


| MaxBW25-2000P | Standard | | Metric | |
|-----------------------------|--------------|--------------------------------|--------------------------------|--------------------|
| Movement | drive type | Servo Telescoping Vertical Arm | Servo Telescoping Vertical Arm | drive type |
| IMM Range | tons | 800 - 1600 | 7117 - 14234 | kn |
| Vertical Stroke | in | 78.74 | 2000 | mm |
| Single Arm Strip | in | 74.8 | 1900 | mm |
| Traverse | in | 129.92 | 3300 | mm |
| Gripper Angle | ° | 90 | 90 | ° |
| Max Load | lbs | 55.12 | 25 | kg |
| Drive System | drive | AC Servo Motor | AC Servo Motors | drive |
| Working Air Pressure | psi | 71.12 ~ 113.85 | 5 ~ 8 | kg/cm ² |
| Air Consumption | fluid oz | 1.353E-07 | 4 | NL/cycle |
| Power Consumption | KVA | 5.6 | 5.6 | KVA |
| Power Supply | power supply | 480VAC - 3 Phase - 60 Hz | 480VAC - 3 Phase - 60 Hz | power supply |



MaxBW25-Series

Full Servo Robot
IMM RANGE 800 – 1600 Ton



| MaxBW25-2000P | Standard (in) | Metric (mm) |
|---------------|---------------|-------------|
| A | 94.29 | 2395 |
| B | 25.59 | 650 |
| C | 166.93 | 4240 |
| D | 3.15 | 80 |
| E | 78.74 | 2000 |
| G | 129.92 | 3300 |
| H | 84.06 | 2135 |
| I | 27.56 | 700 |
| K | 74.8 | 1900 |
| M | Custom | Custom |
| N | 19.49 | 495 |

Specifications subject to change due to technical advances