



# MaxBW10-Series

Full Servo Robot  
IMM RANGE 500 – 800 Ton

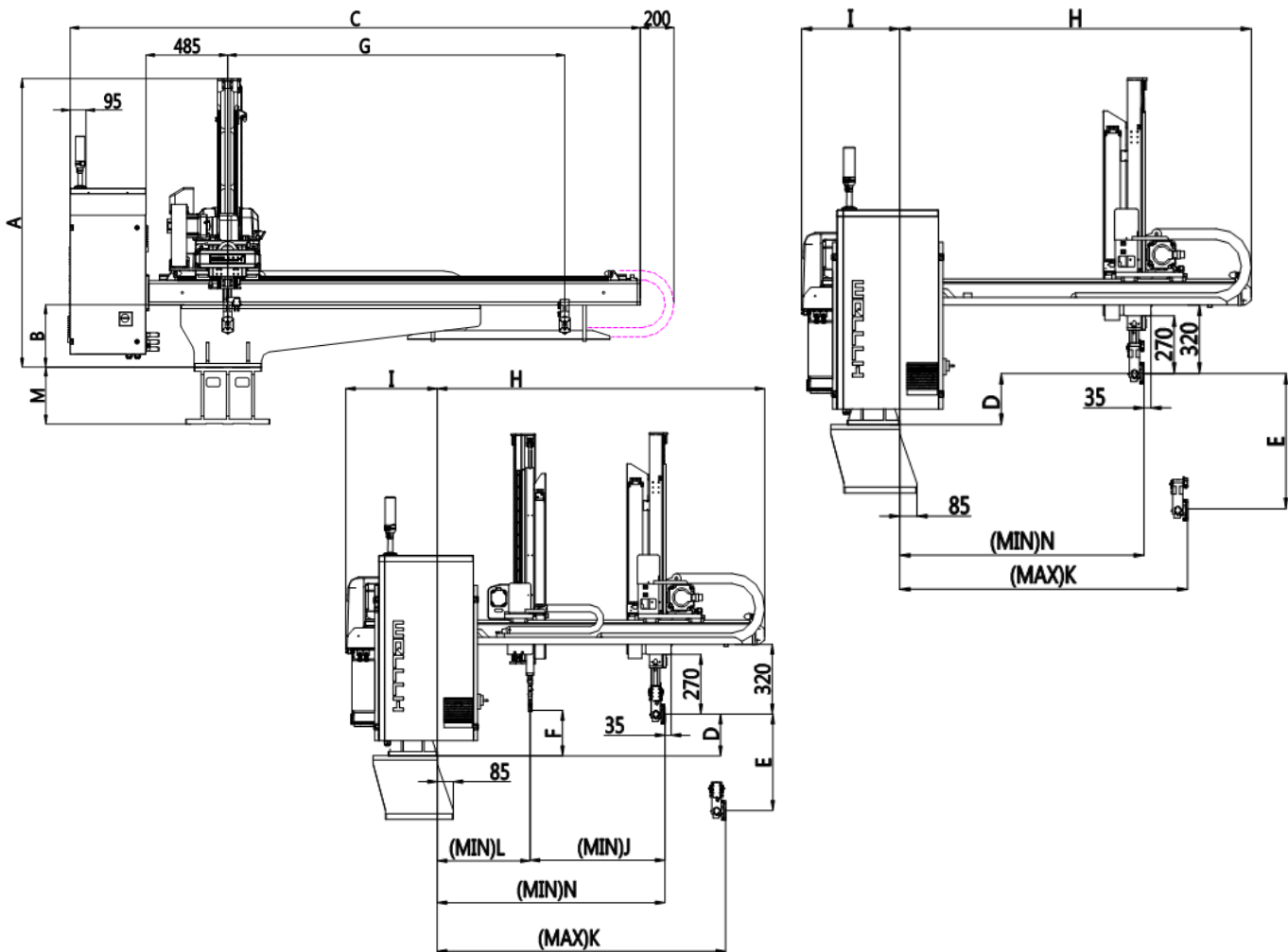


MaxBW10-1500P	Standard		Metric	
<b>Movement</b>	drive type	Servo Telescoping Vertical Arm	Servo Telescoping Vertical Arm	drive type
<b>IMM Range</b>	tons	500 - 800	4448 - 7117	kn
<b>Vertical Stroke</b>	in	59.06	1500	mm
<b>Single Arm Strip</b>	in	55.12	1400	mm
<b>Traverse</b>	in	98.43	2500	mm
<b>Gripper Angle</b>	°	90	90	°
<b>Max Load</b>	lbs	22.05	10	kg
<b>Drive System</b>	drive	AC Servo Motor	AC Servo Motor	drive
<b>Working Air Pressure</b>	psi	71.12 ~ 113.83	5 ~ 8	kg/cm <sup>2</sup>
<b>Air Consumption</b>	fluid oz	1.488E-07	4.4	NL/cycle
<b>Power Consumption</b>	KVA	4.6	4.6	KVA
<b>Power Supply</b>	power supply	480VAC - 3 Phase - 60 Hz	480VAC - 3 Phase - 60 Hz	power supply



# MaxBW10-Series

Full Servo Robot  
IMM RANGE 500 – 800 Ton



MaxBW10-1500P	Standard (in)	Metric (mm)
A	67.72	1720
B	13.78	350
C	152.95	3885
D	9.45	240
E	59.06	1500
G	98.43	2500
H	68.31	1735
I	19.09	485
K	55.12	1400
M	8.66	220
N	9.84	250

Specifications subject to change due to technical advances