



MaxAW05-Series

Small Servo Robot
IMM RANGE 280 – 300 Ton

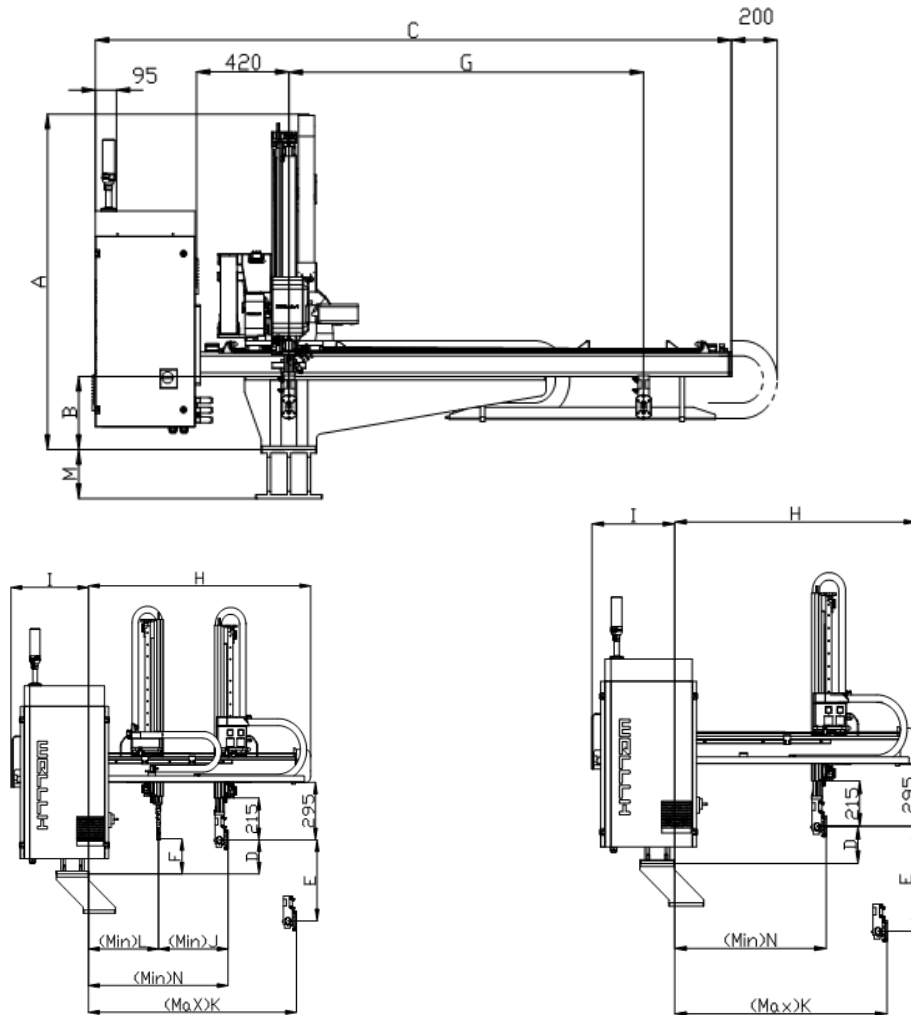


MaxAW05-1000P	Standard		Metric	
Movement	drive type	Servo Telescoping Vertical Arm	Servo Telescoping Vertical Arm	drive type
IMM Range	tons	280 - 300	2491 - 2669	kn
Vertical Stroke	in	39.37	1000	mm
Single Arm Strip	in	39.37	1000	mm
Traverse	in	62.99	1600	mm
Gripper Angle	°	90	90	°
Max Load	lbs	13.23	6	kg
Drive System	drive	AC Servo Motor	AC Servo Motor	drive
Working Air Pressure	psi	71.12 ~ 113.81	5 ~ 8	kg/cm ²
Air Consumption	fluid oz	3.38E-08	1	NL/cycle
Power Consumption	KVA	3.4	3.4	KVA
Power Supply	power supply	480VAC - 3 Phase - 60 Hz	480VAC - 3 Phase - 60 Hz	power supply



MaxAW05-Series

Small Servo Robot
IMM RANGE 280 – 300 Ton



MaxAW05-1000P	Standard (in)	Metric (mm)
A	53.94	1370
B	11.81	300
C	110.24	2800
D	7.09	180
E	39.37	1000
G	62.99	1600
H	49.21	1250
I	17.13	435
K	39.37	1000
M	7.87	200
N	6.3	160

Specifications subject to change due to technical advances